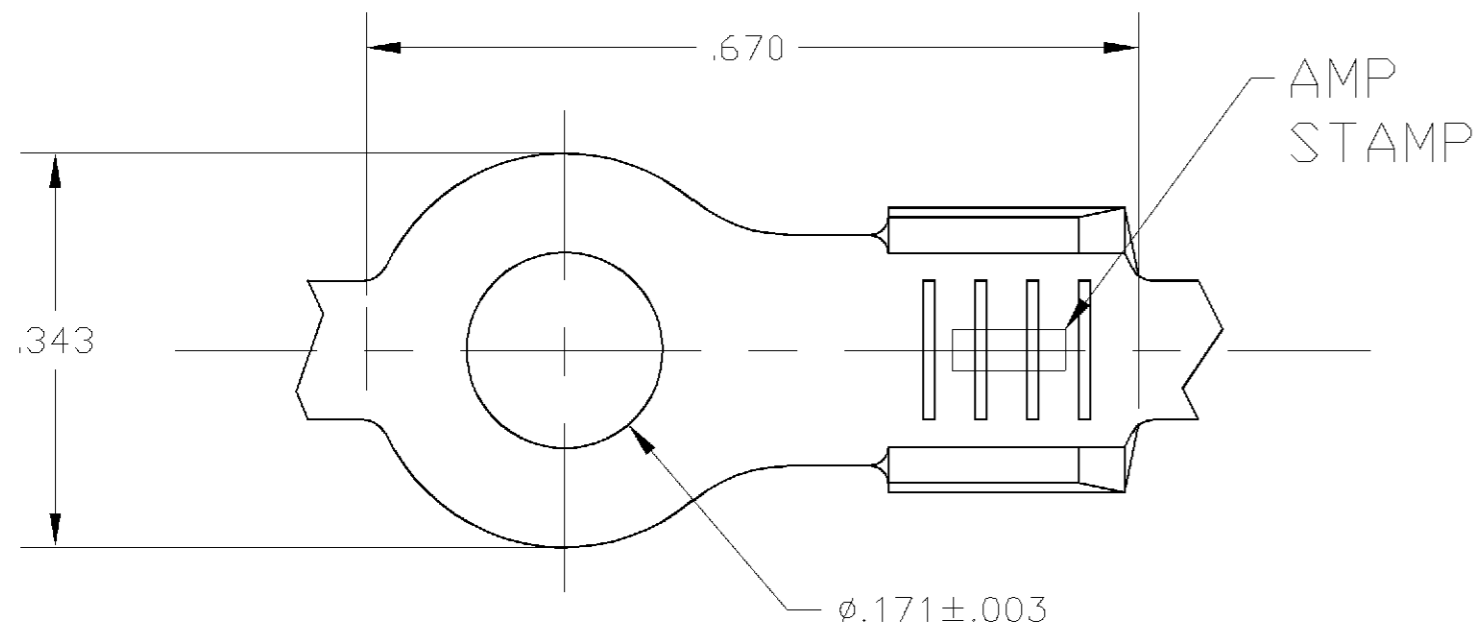
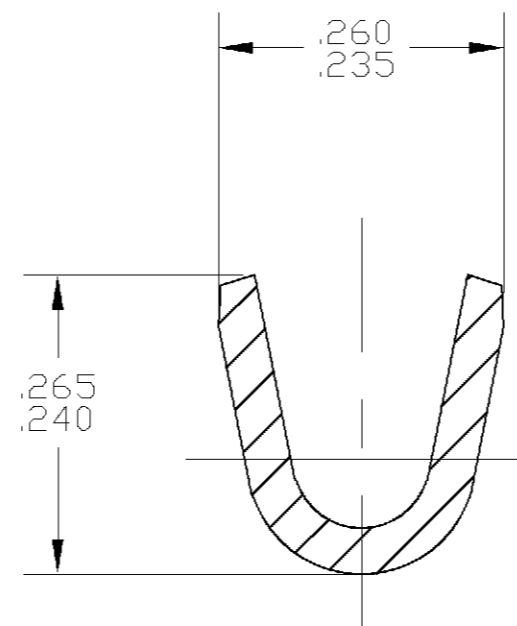
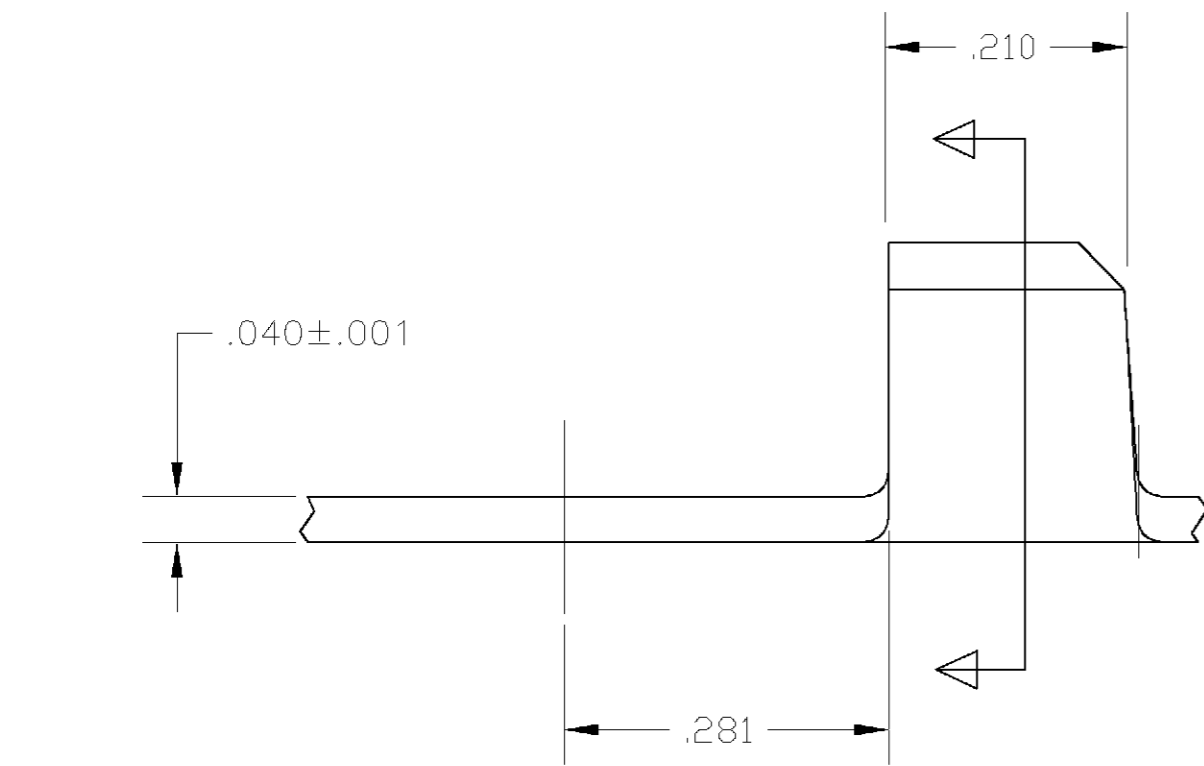


THIS DRAWING IS UNPUBLISHED. RELEASED FOR PUBLICATION  
 © COPYRIGHT 64 BY TYCO ELECTRONICS CORPORATION. ALL RIGHTS RESERVED.

LOC	DIST	REVISIONS			
P	LTR	DESCRIPTION	DATE	DWN	APVD
AF	50	Z	REDRAWN PER OG3A-0051-02	14FEB02	MF DD



- ① CONTINUOUS STRIP ON REELS.
- ② .000080 MIN TIN PLATE.



12-10 AWG	②	082 BRASS	40523
WIRE RANGE	FINISH	MATERIAL	PART NUMBER

THIS DRAWING IS A CONTROLLED DOCUMENT.		DWN 14FEB2002 MICHAEL S. FEHER	Tyco Electronics Corporation Harrisburg, PA	
DIMENSIONS: INCHES		CHK 14FEB2002 DONALD F. DECKER		
TOLERANCES UNLESS OTHERWISE SPECIFIED:		APVD 14FEB2002 DONALD F. DECKER	NAME TERMINAL, RING #8 STUD	
0 PLC ± - 1 PLC ± - 2 PLC ± - 3 PLC ± .010 4 PLC ± - ANGLES ± 1°		PRODUCT SPEC	SIZE CAGE CODE DRAWING NO A2 00779 C-40523	
MATERIAL SEE TABLE		FINISH SEE TABLE	RESTRICTED TO	
CUSTOMER DRAWING		WEIGHT -	SCALE 6:1 SHEET 1 OF 1 REV Z	

40523